

REGISTRATION NUMBER

DVH 0408

DATE OF REGISTRATION/PUBLICATION

07 29 2009
Month Day Year

DO NOT WRITE ABOVE THIS LINE. IF YOU NEED MORE SPACE, USE A SEPARATE CONTINUATION SHEET. (Form D-VH/CON)

1
TITLE

Please give the make and model of the vessel that embodies the design.

Navatek ETM[®] SAM RIB

2
DESIGN

(a) What is the type or style of the design for which registration is sought?
Inflatable entrapment tunnel monohull with center hull and spars

(b) Provide a brief general statement setting forth the salient features of the design.
An inflatable, 16-foot entrapment tunnel monohull with center hull and spars made entirely of drop stitch fabric except for tubes and transom.

Check here if this is a single design.
 Check here if registering more than one design. Use Form D-VH/CON for additional designs.

(c) If this design is derived from an earlier design, describe how that design has been revised, adapted, or rearranged.
N/A

3
DESIGNER(S)

Provide the name and address of the designer(s). The name of the employer may be given instead of the designer(s) if, (1) the design was made within the regular scope of employment of the designer(s) and (2) the individual authorship of the design is difficult or impossible to ascribe.

Please check here if those conditions are satisfied and you are providing the employer's name.

Name: Navatek Ltd
Address: Suite 1110
841 Bishop St
Honolulu, HI 96813

4
OWNER,
IF NOT
DESIGNER(S)

If the owner is different from the designer(s) or employer named above, provide the name and address of the owner:

Name: N/A
Address:

5
PRIORITY
CLAIM

Was an application for registration of this design identified in an application filed in a foreign country that extends to designs of owners who are citizens of the United States, or to persons filing applications in the United States, similar protection to that afforded in 17 USC chapter 13?

Yes No

(b) If yes, identify the country and date of application:

Country:

Date of application:

Serial No:

Was this design made public before the date of application? Yes No

If yes, on what date? _____
Month Day Year

DATE MADE
PUBLIC

DO NOT WRITE HERE
OFFICE USE ONLY

APPLICATION RECEIVED
JUL 14 2009
DESIGN COPIES RECEIVED
JUL 14 2009
FUNDS RECEIVED

MORE ON BACK

• Complete all applicable spaces (numbers 7-9) on the reverse side of this page.
• See detailed instructions. • Sign the form at section 9.

DO NOT WRITE HERE
Page 1 of _____ pages

EXAMINED BY

FORM D-VH

CHECKED BY

CORRESPONDENCE

 YesFOR
COPYRIGHT
OFFICE
USE
ONLY

DO NOT WRITE ABOVE THIS LINE. IF YOU NEED MORE SPACE, USE A SEPARATE CONTINUATION SHEET. (Form D-VH/CON)

7
CONTACT
PERSON

Please provide the name and address of the person to whom correspondence regarding this application may be directed:

Name: Michael SchmickerAddress: Navatek Ltd Suite 1110, 841 Bishop St
Honolulu, HI 96813Email address: Schmickera@navatekLtd.comFAX number: 808-523-7668Daytime phone: (808) 531-7001 ext 188
DEPOSIT
ACCOUNT

Give the name and account number if the registration fee is to be charged to a deposit account established in the Copyright Office:

Name of Account: N/A

Account number:

9
CERTIFICATION AND
SWORN STATEMENTS**DECLARATION:** The undersigned, as the applicant or the applicant's duly appointed agent or representative, being hereby warned that willful false statements are punishable by fine or imprisonment, or both, under 18 USC §1001, and that such willful false statements may jeopardize the validity of this application or any resulting registration, hereby declares to the best of his or her knowledge and belief:

- (1) that the design has been fixed in a useful article;
- (2) that the design is original and was created by the designer(s), or employer if applicable, named in the application;
- (3) that those aspects of the design for which registration is sought are not protected by a design patent;
- (4) that the design has not previously been registered on behalf of the applicant or applicant's predecessor in title; and
- (5) that the applicant is the person entitled to protection and to registration under chapter 13 of title 17, *United States Code*.

Complete if applicable:

The design has been made public with a design notice as prescribed by 17 USC §1306.

Following is the exact form of the design notice:

A plaque with the words "Protected Design, SAM RIB, 2009, Navatek Ltd."

Where on the useful article is the design notice located?

Plaque is affixed to transom of boat

If the undersigned is not the applicant, he or she is properly authorized to execute this application on behalf of the applicant.

Signature

Michael Schmicker

Print or type name

808-531-7001 ext 18 808-523-7668

Telephone number

Fax number

Date

7/2/09
VP

Position or title

Schmickera@navatekLtd.com

Email address

Copyright Office fees are subject to change. For current fees, check the Copyright Office website at www.copyright.gov, write the Copyright Office, or call (202) 707-3000.Certificate
will be
mailed in
window
envelope
to this
address:Name ▼ Michael Schmicker NAVATEKNumber/Street/Apt ▼ Suite 1110 841 Bishop StCity/State/Zip ▼ Honolulu, HI 96813

YOU MUST:

- Complete all necessary spaces
- Sign your application in space 9

SEND ALL 3 ELEMENTS
IN THE SAME PACKAGE:

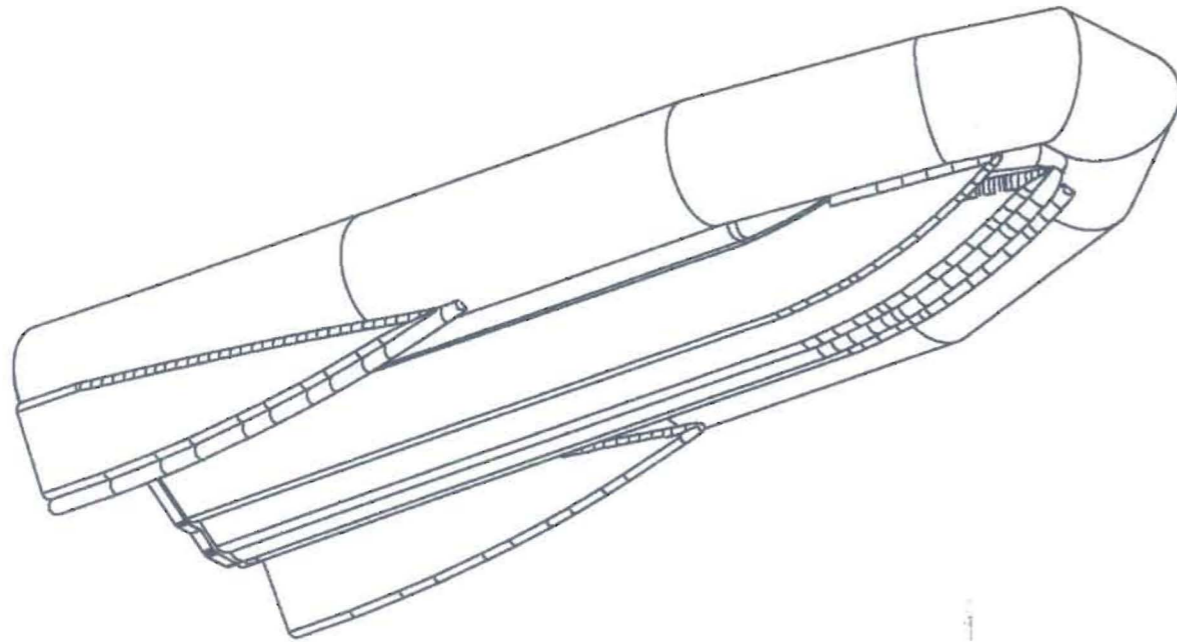
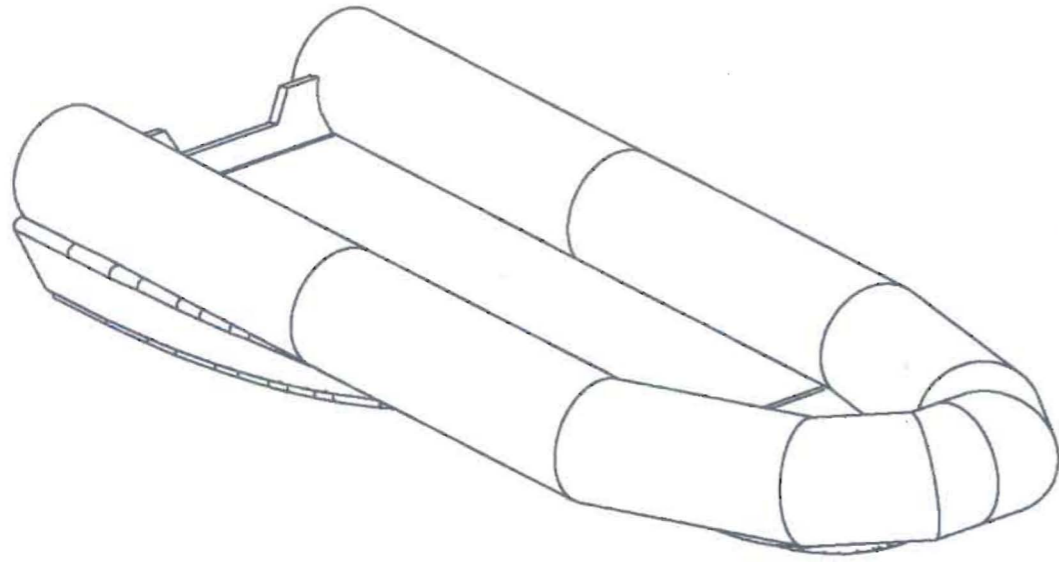
1. Application form
2. Nonrefundable filing fee in check or money order payable to Register of Copyrights
3. Design material

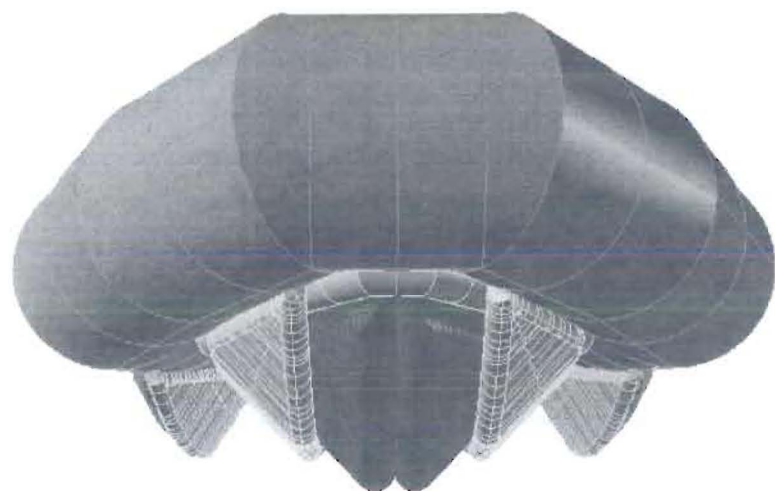
MAIL TO:

Dept. D-VH
Vessel Hull Registration
PO Box 71380
Washington, DC 20024-1380

17 USC §1327. Penalty for false representation. "Whoever knowingly makes a false representation materially affecting the rights obtainable under this chapter for the purpose of obtaining registration of a design under this chapter shall pay a penalty of not less than \$500 and not more than \$1,000, and any rights or privileges that individual may have in the design under this chapter shall be forfeited."

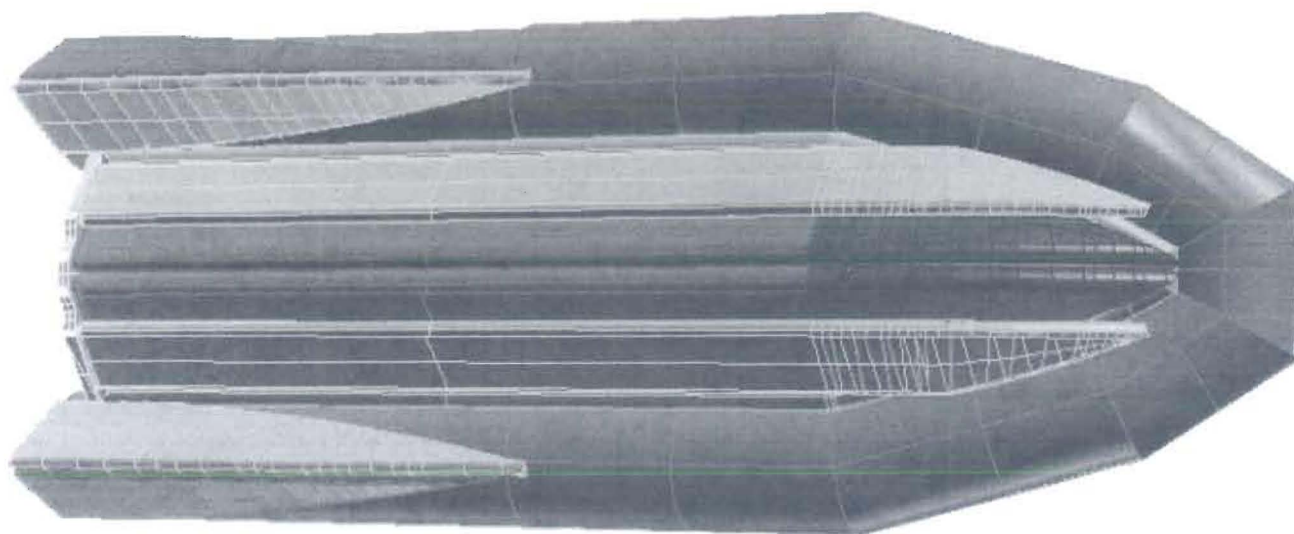
Navatek SAM RIB Illustrations





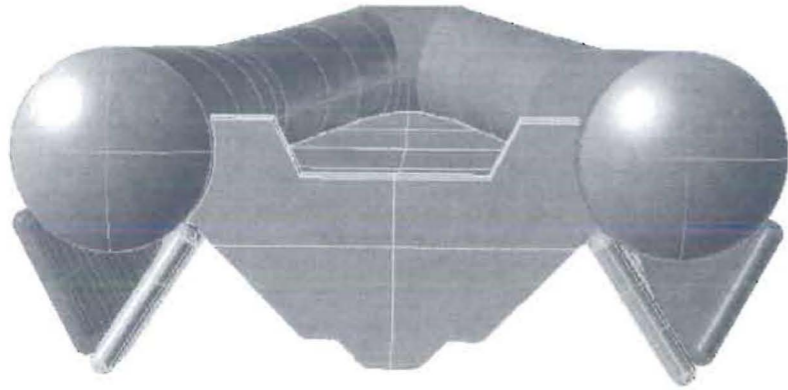
Navatek ETM drop-stitch
RIB – Bow view

DVH 0408

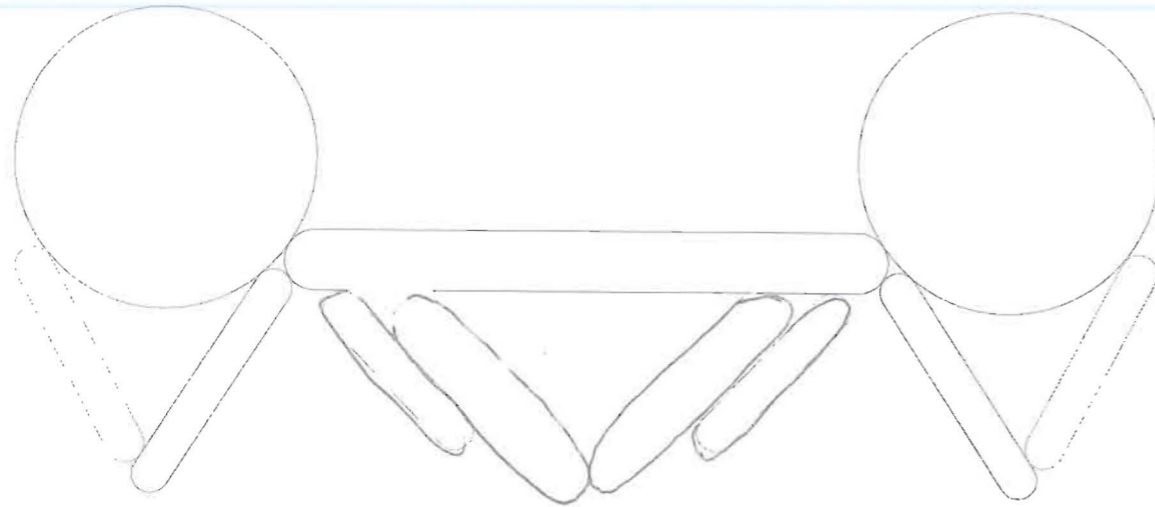


Navatek ETM
drop-stitch
RIB – View
from
underneath
the boat

Navatek ETM drop-stitch
RIB – stern view



DVH 0408



Navatek ETM drop-
stitch RIB – stern
view showing drop-
stitch panel
arrangement



DVH 0408

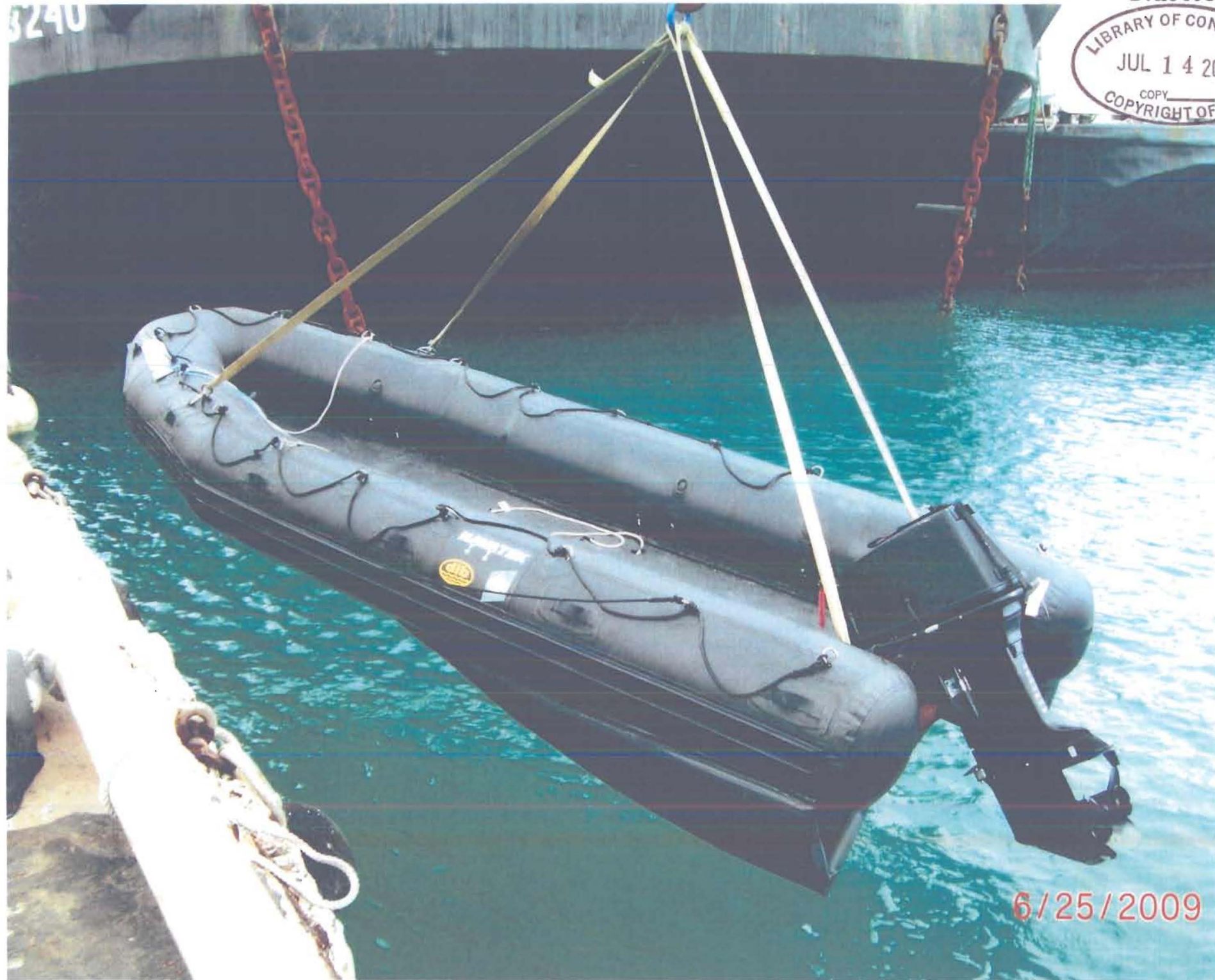
LIBRARY OF CONGRESS
JUL 14 2009 23
COPYRIGHT OFFICE

6/23/2009



DVH 0408
LIBRARY OF CONGRESS
JUL 14 2009 23
COPY
COPYRIGHT OFFICE

6/23/2009



5240

DVH0408
LIBRARY OF CONGRESS
JUL 14 2009 23
COPYRIGHT OFFICE

6/25/2009