



DVH 0002

DATE OF REGISTRATION/PUBLICATION

Sept. 1, 1999

Month Day Year

DO NOT WRITE ABOVE THIS LINE. IF YOU NEED MORE SPACE, USE A SEPARATE CONTINUATION SHEET. (Form D-VH/CON)

**1**

TITLE

Please give the make and model of the vessel that embodies the design.

ECLIPSE 17 OR HURRICANE FITO

**2**

DESIGN

(a) What is the type or style of the design for which registration is sought?

POWERBOAT WITH FOAM FILLED COLLAR

(b) Provide a brief general statement setting forth the salient features of the design.

VEE BOTTOM HULL W/ MULTIPLE SPRAY RAILS AND A SEMI CIRCULAR SOFT COLLAR ABOVE THE CHINE

Check here if this is a single design.

Check here if registering more than one design. Use Form D-VH/CON for additional designs.

(c) If this design is derived from an earlier design, describe how that design has been revised, adapted, or rearranged.

**3**

DESIGNER(S)

Provide the name and address of the designer(s). The name of the employer may be given instead of the designer's name if the design was made within the regular scope of employment of the designer(s) and (2) the individual authorship of the design cannot or is impossible to ascribe.

Please check here if those conditions are satisfied and you are providing the employer's name.

Name: ZODIAC HURRICANE TECH.

Name: \_\_\_\_\_

Address: 7830 VANTAGE WAY  
DELTA, B.C.  
VAG 1A7

Address: \_\_\_\_\_

**4**

OWNER, IF NOT DESIGNER(S)

If the owner is different from the designer(s) or employer named above, provide the name and address of the owner:

Name: \_\_\_\_\_

Address: \_\_\_\_\_

**5**

PRIORITY CLAIM

(a) Was an application for registration of this design identified in an application filed in a foreign country that extends to designs of owners who are citizens of the United States, or to persons filing applications in the United States, similar protection to that afforded in 17 U.S.C. chapter 13?

Yes  No

(b) If yes, identify the country and date of application:

Country: \_\_\_\_\_

Date of application: \_\_\_\_\_

Serial No: \_\_\_\_\_

**6**

DATE MADE PUBLIC

Was this design made public before the date of application?  Yes  No

If yes, on what date? 02 10 99  
 Month Day Year

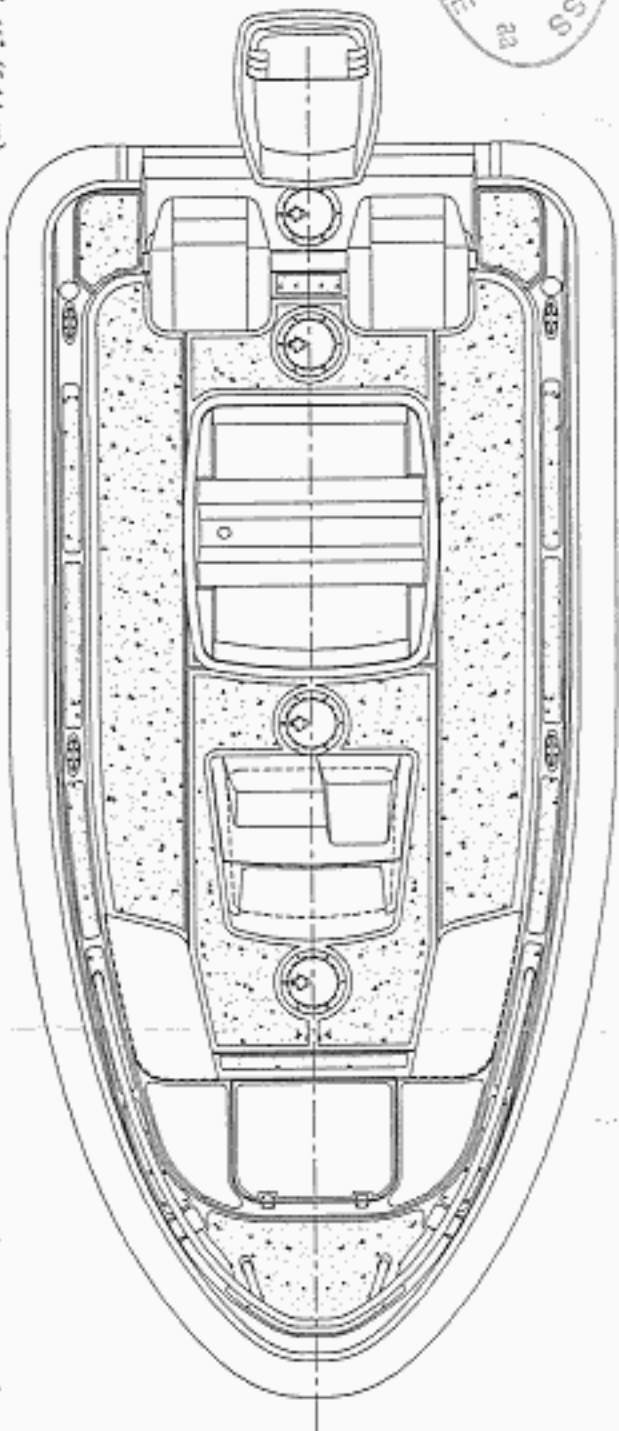
DO NOT WRITE HERE OFFICE USE ONLY

APPLICATION RECEIVED AUG 16 1999

DESIGN COPIES RECEIVED AUG 16 1999

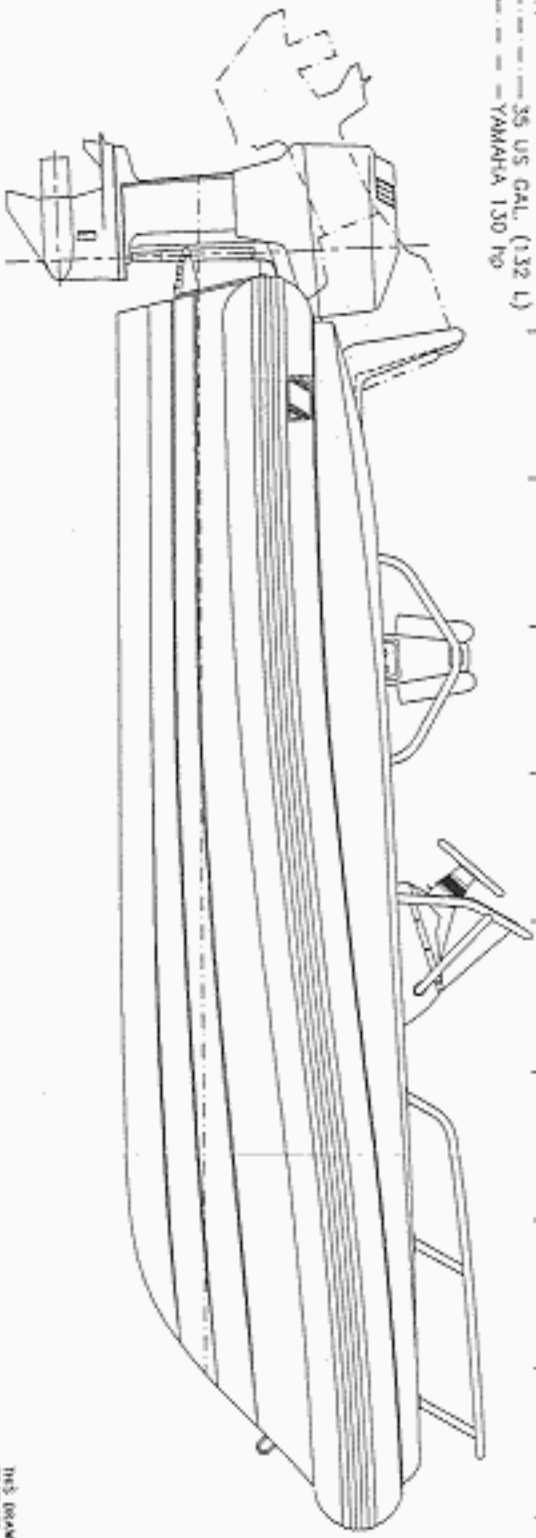
FUNDS RECEIVED AUG 16 1999

LIBRARY OF CONGRESS  
 AUG 16 1999  
 COPYRIGHT OFFICE



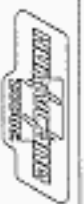
SPECIFICATIONS

- LOA ----- 16'-11" (5.14 m)
- BEAM ----- 8'-0" (2.44 m)
- WEIGHT ----- 2425 lb. (1100 kg)  
 (including motor & fuel)
- FUEL CAPACITY ----- 35 US GAL. (132 L)
- MAIN TANK ----- YAMAHA 130 hp  
 ENGINE



STATIONS  
 1 2 3 4 5 6 7  
 DRAWING DESCRIPTION DATE APPROVED

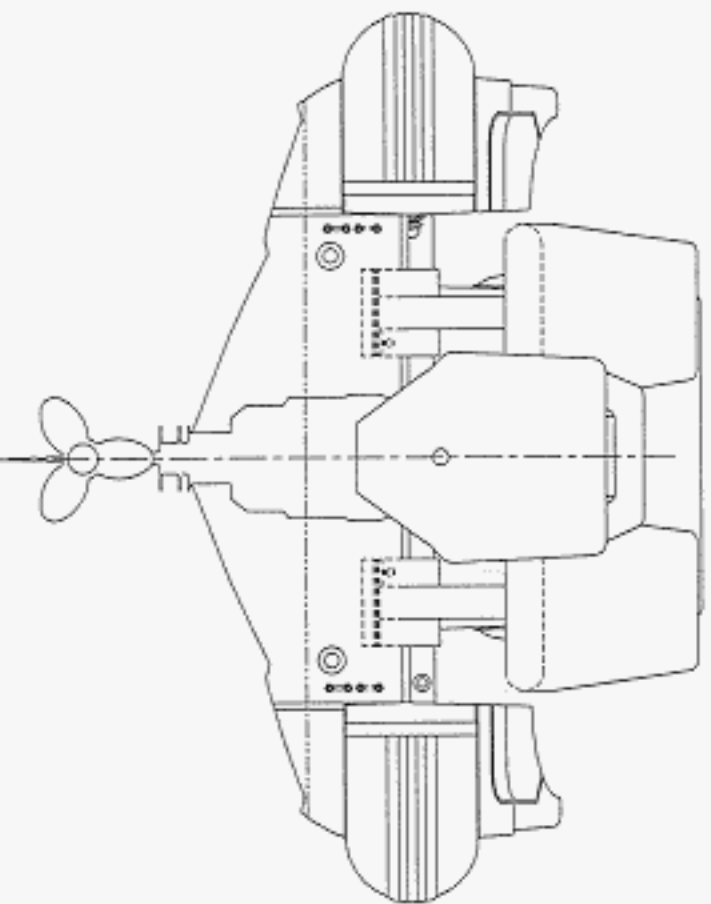
THIS DRAWING WAS PREPARED BY COMPUTER  
 GRAPHICS - NOT TO BE MANUALLY DIMENSIONED



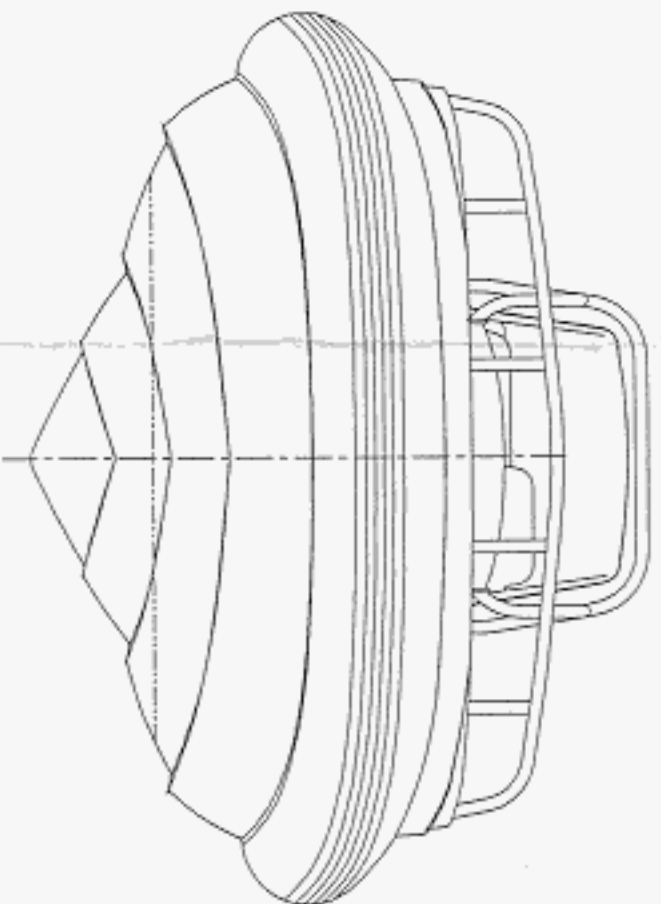
ZODIAC HURRICANE TECHNOLOGIES INC.  
 7820 VANTAGE WAY  
 DELTA BC  
 CANADA V4G 1A7

DATE: 02/28/99 TIME: 11:58  
 PRELIMINARY GENERAL ARRANGEMENT

17' EQUIPSE  
 DWG NO.: Q170-2604(1A)  
 DATE: 02/28/99 TIME: 11:58



AFT LOOKING FORWARD  
DETAIL '8-J'



FORWARD LOOKING AFT  
DETAIL '3-I'

DATE	DESCRIPTION	BY	APPROVED

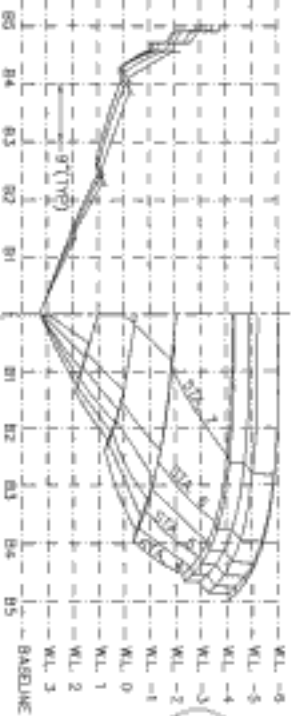
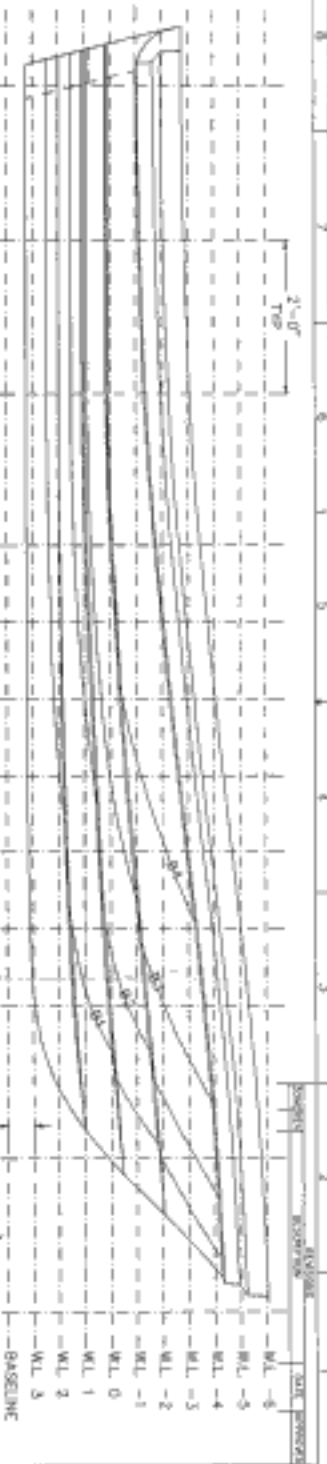
THIS DRAWING WAS PREPARED BY COMPUTER GRAPHICS - NOT TO BE MANUALLY CHANGED

ZODIAC HURRICANE TECHNOLOGIES INC.  
7830 VANTAGE WAY  
DELTA, BC, V4G 1A7  
CANADA

GMT 1  
17' ECLIPSE  
BOW AND STERN VIEWS

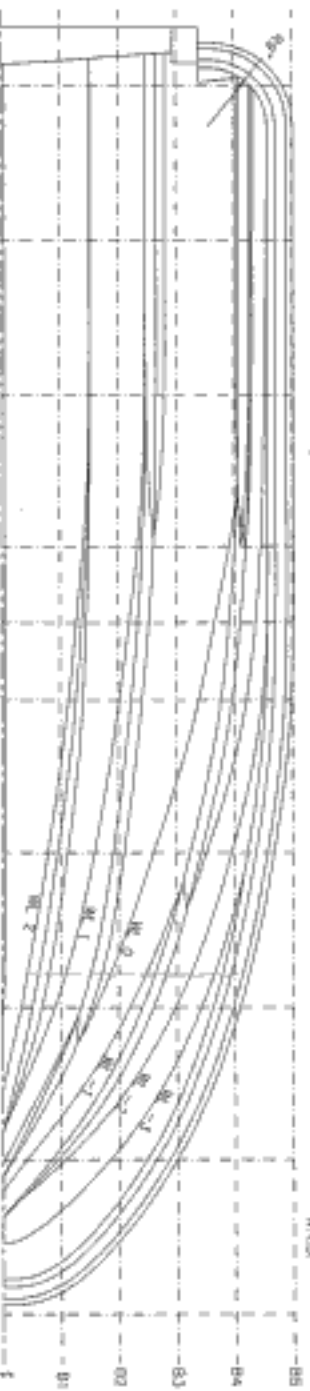
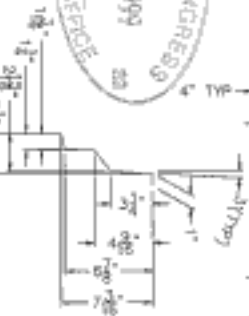
DESIGNER: [Signature]  
CHECKED: [Signature]  
APPROVED: [Signature]

DWG. NO. 1  
0170-2604(1B)  
DATE: 02/26/99 TIME: 11:18



TYP HULL / COLLAR ATTACH SECTION

DETAIL 7-1  
NTS



FOR GENERAL INFORMATION, CONTACT:  
POLYMER/BHT OFFICE  
2000 EAST 17TH AVENUE  
DENVER, CO 80202  
TEL: 303.733.1000  
WWW.POLYMER/BHT.COM



20044 HULLSHEET, TECHNOLOGICAL A&E  
3000 EAST 17TH AVENUE  
DENVER, CO 80202  
CANADA TEL: 303.733.1000

DATE: 12/24/98 TIME: 11:12

17" COLLAR  
HULL LINES

DATE: 12/24/98 TIME: 11:12

DATE: 12/24/98 TIME: 11:12

DATE: 12/24/98 TIME: 11:12

DATE: 12/24/98 TIME: 11:12

DATE: 12/24/98 TIME: 11:12