

REGISTRATION NUMBER

DVH 0208

DATE OF REGISTRATION/PUBLICATION

Month 03 Day 04 Year 05

DO NOT WRITE ABOVE THIS LINE. IF YOU NEED MORE SPACE, USE A SEPARATE CONTINUATION SHEET. (Form D-VH/CON)

Please give the make and model of the vessel that embodies the design.

ZODIAC RESPONDER

1
TITLE

(a) What is the type or style of the design for which registration is sought?

RIGID INFLATABLE BOAT

2
DESIGN

(b) Provide a brief general statement setting forth the salient features of the design.

VEE BOTTOM HULL WITH MULTIPLE FLANING STRAKES. INFLATABLE OR FOAM CIRCULAR COLLAR ABOVE THE CHINE.

Check here if this is a single design.
 Check here if registering more than one design. Use Form D-VH/CON for additional designs.

(c) If this design is derived from an earlier design, describe how that design has been revised, adapted, or rearranged.

3
DESIGNER(S)

Provide the name and address of the designer(s). The name of the employer may be given instead of the designer(s) if, (1) the design was made within the regular scope of employment of the designer(s) and (2) the individual authorship of the design is difficult or impossible to ascribe.

Please check here if those conditions are satisfied and you are providing the employer's name.

Name: KOBUS POTGIETER

Name: _____

Address: 2 DYSART ROAD

Address: _____

GREEN POINT, CAPE TOWN
SOUTH AFRICA

4
OWNER,
IF NOT
DESIGNER(S)

If the owner is different from the designer(s) or employer named above, provide the name and address of the owner:

Name: ZODIAC HURRICANE TECHNOLOGIES

Address: 7830 VANTAGE WAY

DELTA, B.C.
V4G 1A7

5
PRIORITY
CLAIM

(a) Was an application for registration of this design identified in an application filed in a foreign country that extends to designs of owners who are citizens of the United States, or to persons filing applications in the United States, similar protection to that afforded in 17 U.S.C. chapter 13?
 Yes No

(b) If yes, identify the country and date of application:

Country: _____

Date of application: _____

Serial No: _____

6
DATE MADE
PUBLIC

Was this design made public before the date of application? Yes No

If yes, on what date?

Month _____ Day _____ Year _____

DO NOT WRITE HERE
OFFICE USE ONLY

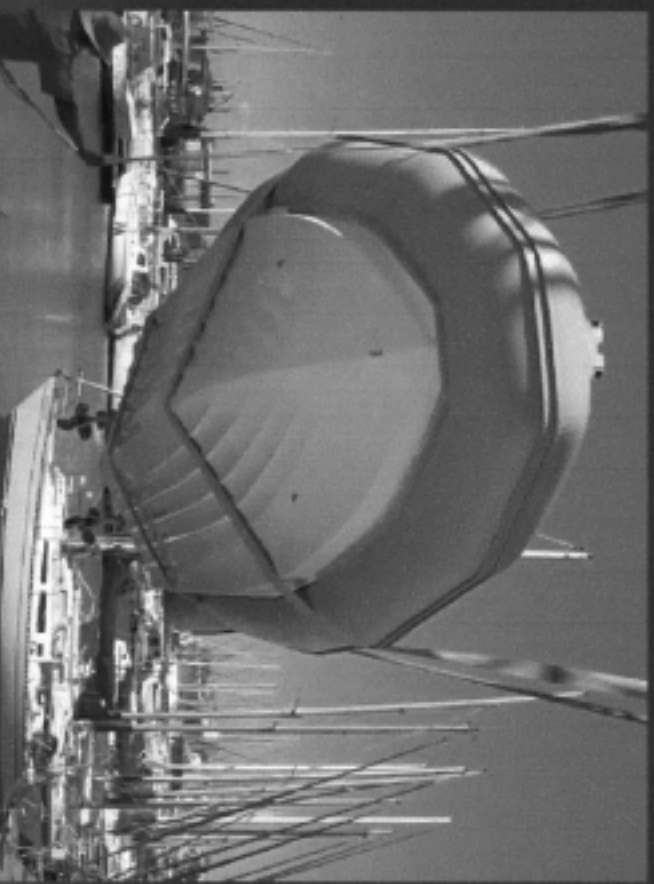
APPLICATION RECEIVED FEB 01 2005
DESIGN COPIES RECEIVED FEB 01 2005
FUNDS RECEIVED FEB 01 2005
62000 \$142.00

MORE ON BACK

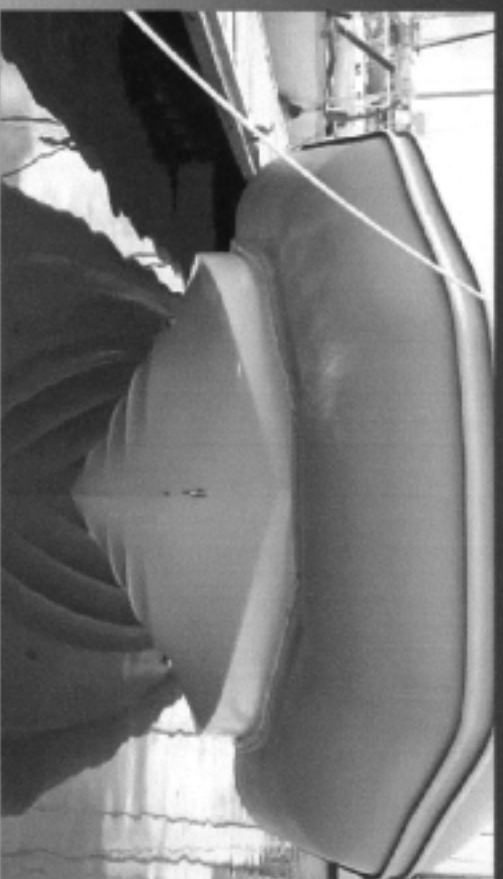
• Complete all applicable spaces (numbers 7-9) on the reverse side of this page.
• See detailed instructions. • Sign the form at section 9.

DO NOT WRITE HERE
Page 1 of _____ pages

850 Sea Rib Responder



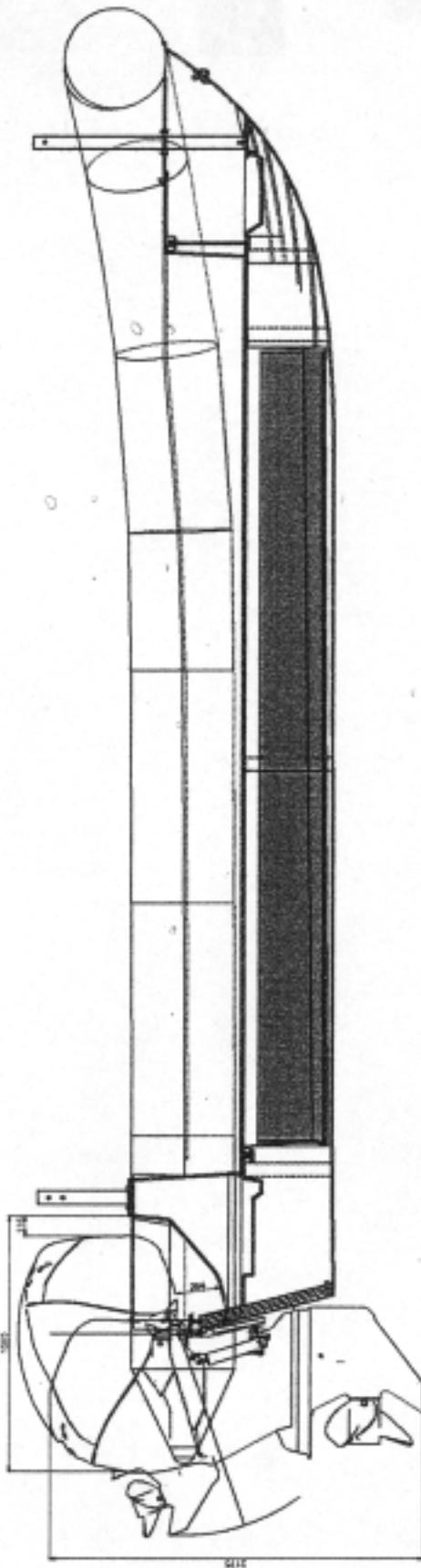
• New hull design



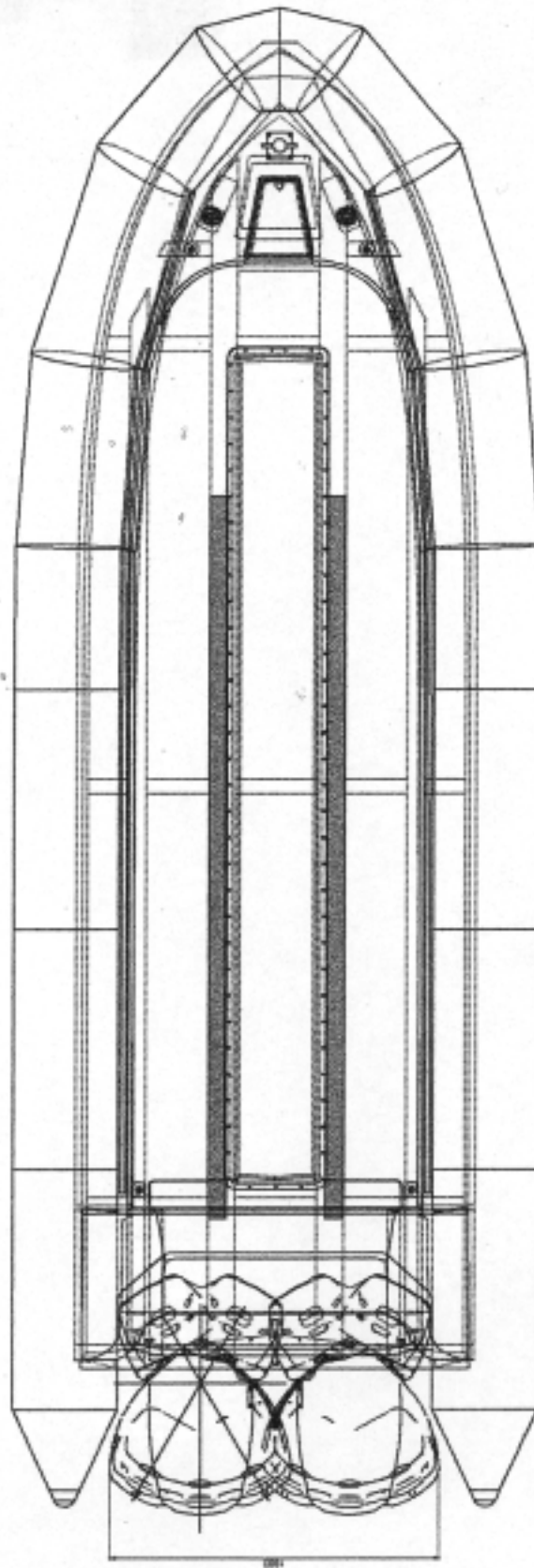
ZODIAC

SRR 850 – testing in December 2004

DVH 0208



08M - 2 x VERBOD 225 MP (3L)



NOTE:
All dimensions are in mm.

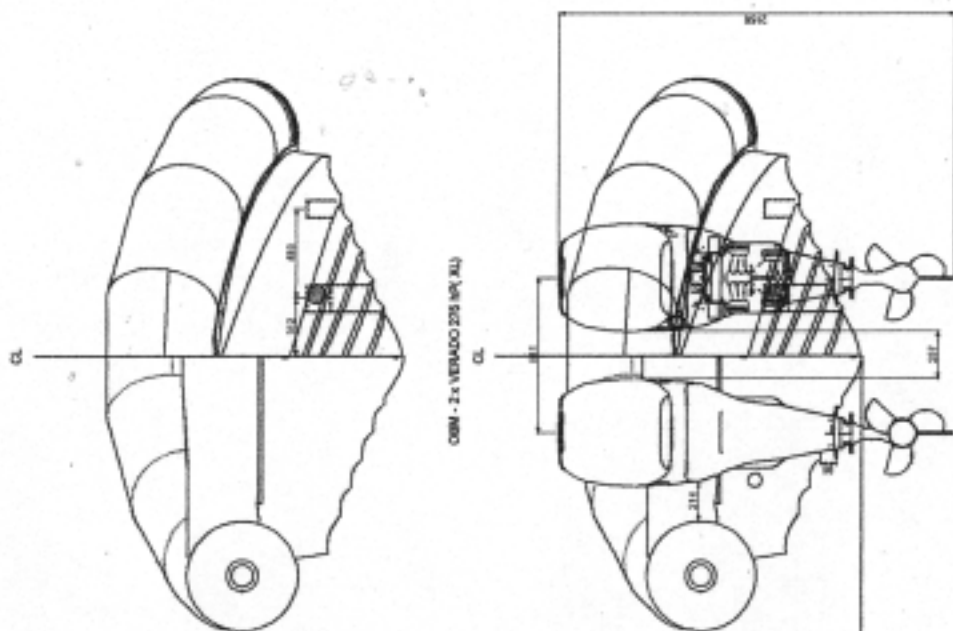
	DRAWN KP	APPROVED	DWG NO: ZNR850 - 0A/002
			DATE: 10 OCTOBER 2004

CRAFT: ZODIAC RESPONDER 850

TITLE: GENERAL ARRANGEMENT - 08M

KOBUS POTGIETER DESIGNS
2 OVSBAAT RD
GREEN POINT, CAPE TOWN, SOUTH AFRICA
TEL: 27 21 4341025

DVH 0208



OBIM - 2x VERMADO 225 MP (XU)

NOTE:
All dimensions are in mm.

KOBUS ROTMETER DESIGNS
2 DYSAART RD
GREEN FOUNT, CAPE TOWN, SOUTH AFRICA
TEL: 27 21 4341023

CRAFT: ZODIAC RESPONDER 880
TITLE: GENERAL ARRANGEMENT -OBIM INSTALLATION

DRAWN	APPROVED	DWG NO.
IP		ZR650 - DT003
		DATE: 10 OCTOBER 2004